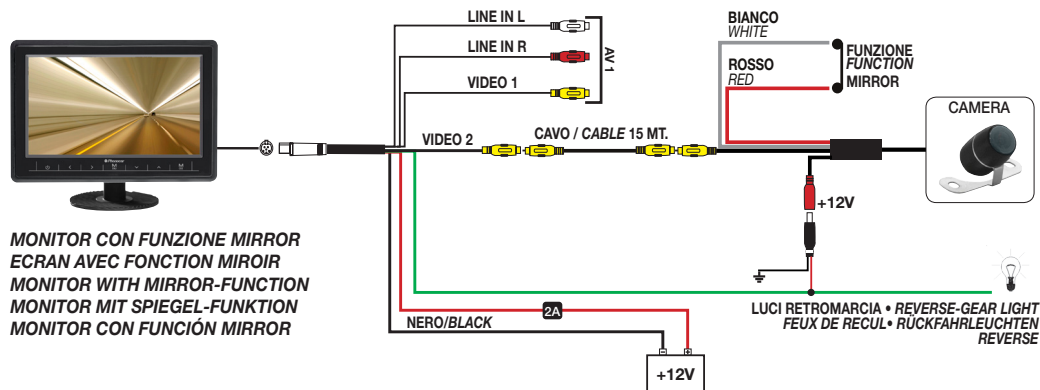


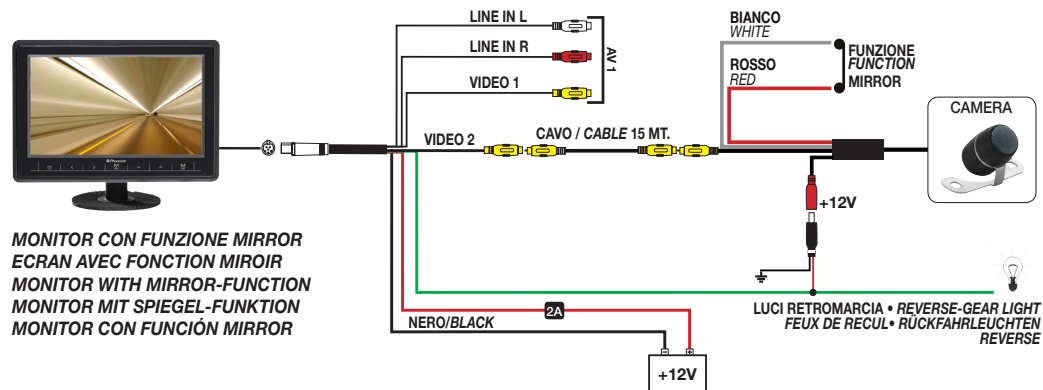
**SCHEMA DI COLLEGAMENTO • CONNECTION SCHEME  
DIAGRAMME DE CONNEXION • ANSCHLUß-DIAGRAMMA  
ESQUEMA DE CONEXION**

**VM162** MONITOR 7" • REAR CAMERA CMD • VIDEO CABLE 15 MT. • MOUNTING-ACCESSORIES • REMOTE CONTROL

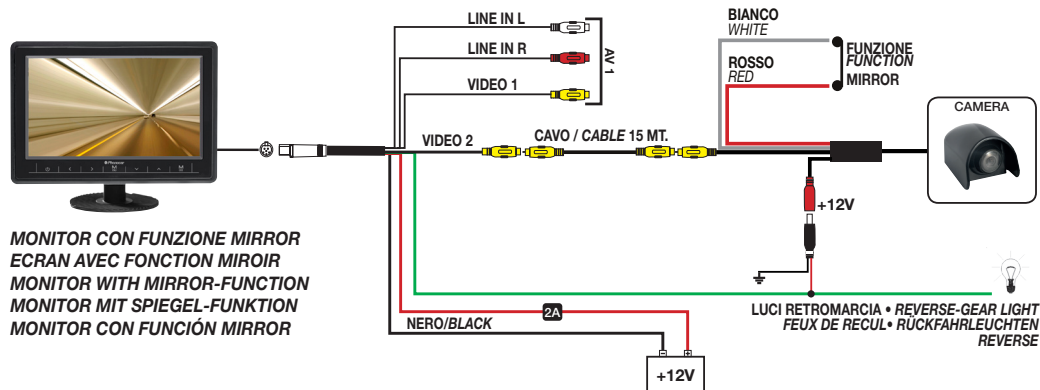


**SCHEMA DI COLLEGAMENTO • CONNECTION SCHEME  
DIAGRAMME DE CONNEXION • ANSCHLUß-DIAGRAMMA  
ESQUEMA DE CONEXION**

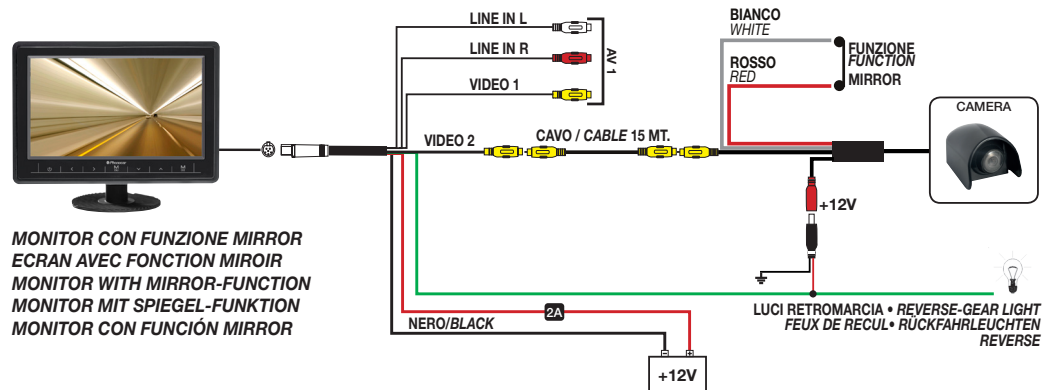
**VM162** MONITOR 7" • REAR CAMERA CMD • VIDEO CABLE 15 MT. • MOUNTING-ACCESSORIES • REMOTE CONTROL



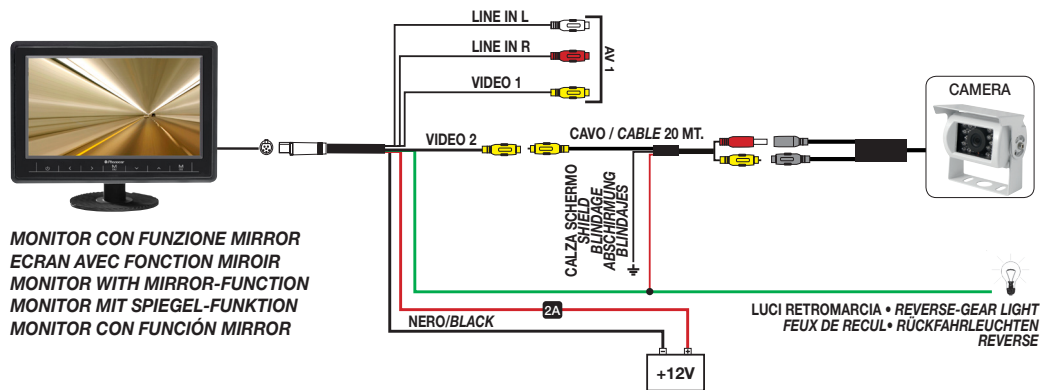
**VM163** MONITOR 7" • REAR CAMERA CMD • VIDEO CABLE 15 MT. • MOUNTING-ACCESSORIES • REMOTE CONTROL



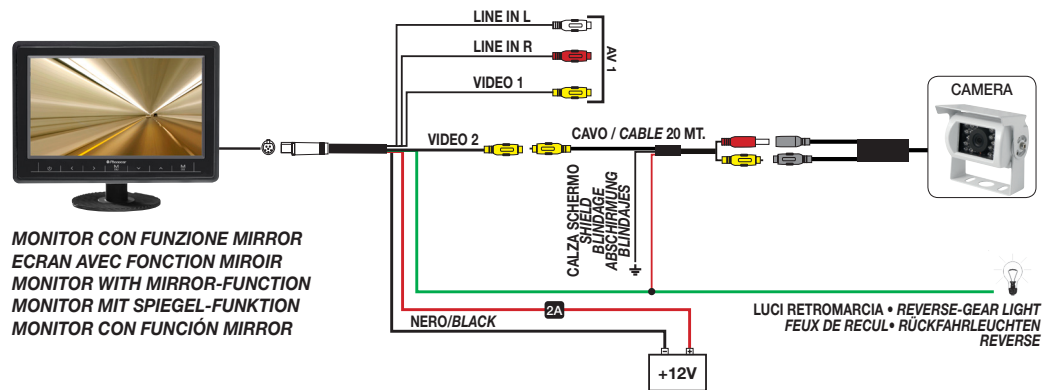
**VM163** MONITOR 7" • REAR CAMERA CMD • VIDEO CABLE 15 MT. • MOUNTING-ACCESSORIES • REMOTE CONTROL



**VM165** MONITOR 7" • REAR CAMERA CCD INFRARED • VIDEO CABLE 20 MT. • MOUNTING-ACCESSORIES  
REMOTE CONTROL

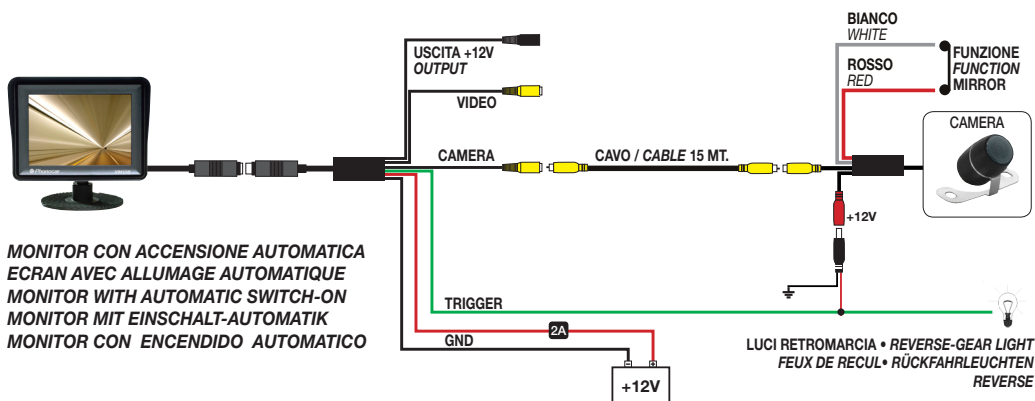


**VM165** MONITOR 7" • REAR CAMERA CCD INFRARED • VIDEO CABLE 20 MT. • MOUNTING-ACCESSORIES  
REMOTE CONTROL



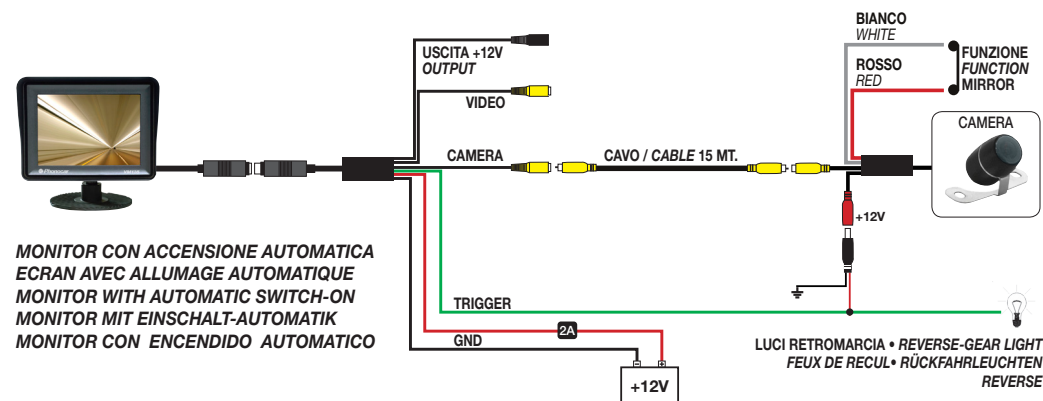
**SCHEMA DI COLLEGAMENTO • CONNECTION SCHEME  
 DIAGRAMME DE CONNEXION • ANSCHLUß-DIAGRAMMA  
 ESQUEMA DE CONEXION**

**VM160** MONITOR 3,5" • REAR CAMERA CMD • VIDEO CABLE 15 MT. • MOUNTING-ACCESSORIES



**SCHEMA DI COLLEGAMENTO • CONNECTION SCHEME  
 DIAGRAMME DE CONNEXION • ANSCHLUß-DIAGRAMMA  
 ESQUEMA DE CONEXION**

**VM160** MONITOR 3,5" • REAR CAMERA CMD • VIDEO CABLE 15 MT. • MOUNTING-ACCESSORIES



**Phonocar**

S.p.A. - Via F.lli Cervi, 167/C • 42124 Reggio Emilia (Italy) • Tel. ++39 0522 941621 • Fax ++39 0522 942452  
 www.phonocar.com • e-mail:info@phonocar.it



**Phonocar**

S.p.A. - Via F.lli Cervi, 167/C • 42124 Reggio Emilia (Italy) • Tel. ++39 0522 941621 • Fax ++39 0522 942452  
 www.phonocar.com • e-mail:info@phonocar.it